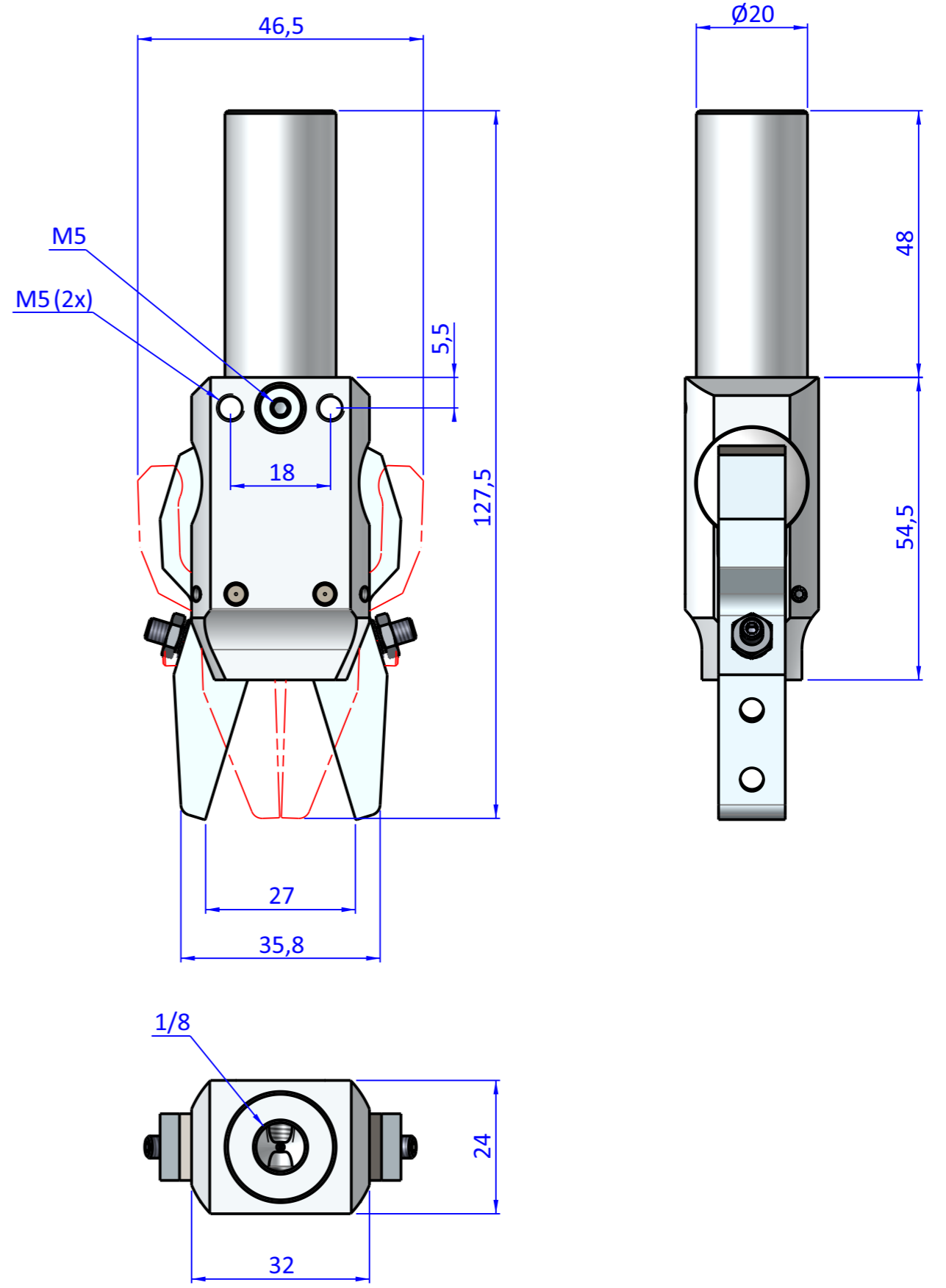
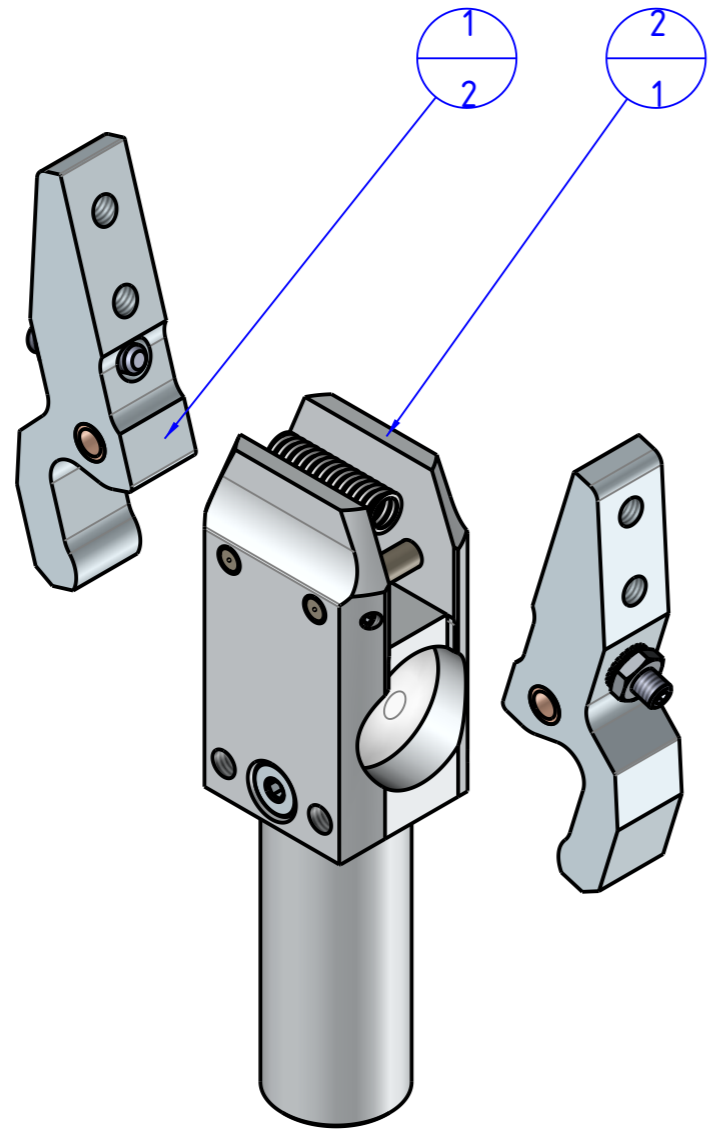



THE PROPERTY OF THE DRAWING IS ESTABLISHED BY LAW. IT IS FORBIDDEN TO PRODUCE OR SHOW IT TO THIRD PART - WITHOUT A WRITTEN AGREEMENT.

| Item | Name       | Q.ty |
|------|------------|------|
| 1    | GTS.04.29  | 2    |
| 2    | GTS.04.G18 | 1    |



Format A3  
UNI 936-76

|  |                                 |                                 |                          |             |
|--|---------------------------------|---------------------------------|--------------------------|-------------|
| <br>FPS SERVICES AUTOMATION |                                 | DESIGNED FROM<br>FPS Automation |                          | REVIEW<br>A |
|  |                                 | DATE<br>21/09/2021              | WEIGHT<br>0,215kg        |             |
| GENERAL TOLERANCE<br>UNI - ISO 2768<br>CLASSE f  | DESCRIPTION<br>CA.GTS.1004.2929 |                                 | CODE<br>CA.GTS.1004.2929 |             |